

For Compressed Air and Vacuum

The Aventics Poppet Valves are ideal for single acting cylinders, Air Bellows and vacuum material handling.

- CAD Drawings Available
- High Flow
- Rugged Design
- Low Cost
- cURus Approved Coils



How to Order

	8	227	A	1	N	B	1	0	A00	00	
Connection Type	8 = NPT G = G										Voltage
Product Series	227 = Poppet Valve										00 = None C7 = 110-120 VAC/50-60 Hz F3 = 12 VDC F1 = 24 VDC
Revision	A = Initial Release										Options
Item Type	3 ¹ = Poppet for Compressed Air 2 = Poppet for Vacuum (requires External Pilot option 14A) 3 = Foot Pedal										A00 = None 11M = COVER WITH NO OVERRIDE ACCESS 14A = EXTERNAL PILOT (standard on Air Pilot only valves) 60T = WITH FIELD INSTALLABLE ELECT. CONNECTOR(S) W/O LIGHT 66W = WITH FIELD INSTALLABLE ELECT. CONNECTOR(S) W/LIGHT 68C = 11M+14A 68D = 11M+66W 68E = 14A+66W 68F = 11M+60T 68G = 14A+60T 69A = 11M+14A+66W 69B = 11M+14A+60T
Function	4 ^G = 2 Position, 2 Way (2/2) NC N = 2 Position, 3 Way (3/2) NC 3 ^P = 2 Position, 3 Way (3/2) NO 4 = 2 Position, 4 Way (5/2) (Foot Pedal Version ONLY)										Wiring
Actuation	A = Solenoid Pilot w/ Spring Return P = Air Pilot w/Spring Return F = Foot Pedal w/ Spring Return D = Foot Pedal w/out Spring										0 = None 1 = DIN Plug
											Port Size
											4 ¹ = 1/8 3 ⁵ = 3/4 1/2 = 1/4 3 ⁶ = 1 4 ³ = 3/8 8 = 1-1/2 3 ⁴ = 1/2

¹Foot Pedal only offered with G 1/4 ports
³2 NO Poppet for Compressed Air not available with port size 1/2, 3/4, or 1
²2 Function not available with port size 1/8, 1/4, or 3/8

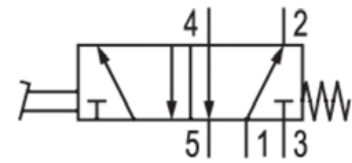
227 Series Pedal Valve

- 2 Position, 5 Way (5/2)
- Nylon shell & steel reinforced base plate
- Die cast zinc alloy valve body
- Spring return & detented models
- Large opening for foot operation

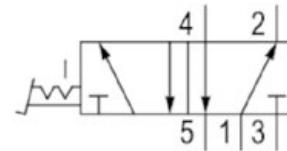


Technical Data

Ports (NPTF)	1/4" Spring	1/4" Pedal
Cv	1..36	
Maximum Operating Pressure	145 PSIG (10 Bar)	
Temperature Range	23°F to +122°F ambient (-5°C to +50°C ambient)	
Fluid Temperature Range	23°F to +122°F ambient (-5°C to +50°C ambient)	



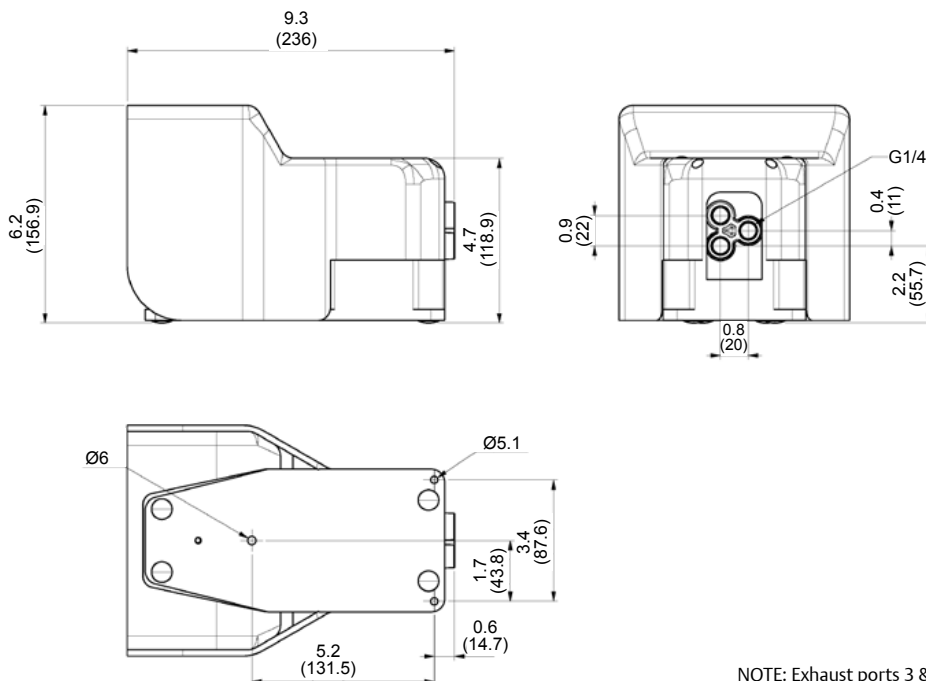
Spring Return Pedal



Detented Operation Pedal

Operating Data

Foot Pedal Description	Part No.
1/4" GTAP Spring Return	G227A34F20A0000
1/4" GTAP Without Spring	G227A34D20A0000



NOTE: Exhaust ports 3 & 5 are located under the cover

Pedal Valve Dimensions: inches (mm)